

FEIDER

MACHINES

PLANER 900W

FRB900

ORIGINALS INSTRUCTIONS



Warning: Please read the manual carefully before using the unit!

BUILDER
32 Rue Aristide Berges Zi Du Casque 31270 Cugnaux France
MADE IN PRC



DESCRIPTION OF THE SYMBOLS

The use of symbols in this manual is intended to draw your attention to possible risks. The safety symbols and the explanations that accompany them must be perfectly understood. The warnings in themselves do not remove the risks and cannot replace correct actions for preventing accidents.



This symbol, marking a point of safety, indicates a caution, warning or danger. Ignoring this warning can result in an accident to yourself or others. To limit the risks of injury, fire or electrocution, always follow the recommendations indicated.



WARNING - To reduce the risk of injury, user must read instruction manual.

Before any use, refer to the corresponding section in this user manual.



Conform to applicable safety standards.



Class II symbol: this machine is designed with double insulation. It is not necessary to connect it to an earthed power socket.



This symbol indicates the requirement of wearing ear protection, eye protection, respirator and gloves when using the product.



Recycle unwanted materials instead of disposing of them. All appliances and packaging should be sorted and tendered at a regional recycling centre into to be processed in an ecological manner.

SAFETY INSTRUCTIONS



WARNING! Read all safety warnings and instructions.

Failing to follow the warnings and instructions can result in an electric shock, a fire and/or a serious injury.

Save all warnings and instructions for future reference. *The term "power tool" in the warnings refers to your mains-operated (corded) power tool or battery-operated (cordless) power tool.*

1) Work area safety

- a) **Keep work area clean and well lit.** *Cluttered or dark areas invite accidents.*
- b) **Do not operate power tools in explosive atmospheres, such as in the presence of flammable liquids, gases or dust.** *Power tools create sparks which may ignite the dust or fumes.*
- c) **Keep children and bystanders away while operating a power tool.** *Distractions can cause you to lose control.*

2) Electrical safety

- a) **Power tool plugs must match the outlet. Never modify the plug in any way. Do not use any adapter plugs with earthed (grounded) power tools.** *Unmodified plugs and matching outlets will reduce risk of electric shock.*
- b) **Avoid body contact with earthed or grounded surfaces, such as pipes, radiators, ranges and refrigerators.** *There is an increased risk of electric shock if your body is earthed or grounded.*
- c) **Do not expose power tools to rain or wet conditions.** *Water entering a power tool will increase the risk of electric shock.*
- d) **Do not abuse the cord. Never use the cord for carrying, pulling or unplugging the power tool. Keep cord away from heat, oil, sharp edges or moving parts.** *Damaged or entangled cords increase the risk of electric shock.*
- e) **When operating a power tool outdoors, use an extension cord suitable for outdoor use.** *Use of a cord suitable for outdoor use reduces the risk of electric shock.*
- f) **If operating a power tool in a damp location is unavoidable, use a residual current device (RCD) protected supply.** *Use of an RCD reduces the risk of electric shock.*

NOTE the term "residual current device (RCD)" may be replaced by the term "ground fault circuit interrupter (GFCI)" or "earth leakage circuit breaker (ELCB)".

3) Personal safety

- a) **Stay alert, watch what you are doing and use common sense when operating a power tool. Do not use a power tool while you are tired or under the influence of drugs, alcohol or medication.** *A moment of inattention while operating power tools may result in serious personal injury.*
- b) **Use personal protective equipment. Always wear eye protection.** *Protective equipment such as dust mask, non-skid safety shoes, hard hat, or hearing protection used for appropriate conditions will reduce personal injuries.*
- c) **Prevent unintentional starting. Ensure the switch is in the off-position connecting to power source and/or battery pack, picking up or carrying the tool.** *Carrying power tools with your finger on the switch or energizing power tools that have the switch on invites accidents.*
- d) **Remove any adjusting key or wrench before turning the power tool on.** *A wrench or a key left attached to a rotating part of the power tool may result in personal injury.*
- e) **Do not overreach. Keep proper footing and balance at all times.** *This enables better control of the*

power tool in unexpected situations.

f) Dress properly. Do not wear loose clothing or jewellery. Keep your hair, clothing and gloves away from moving parts. Loose clothes, jewellery or long hair can be caught in moving parts.

g) If devices are provided for the connection of dust extraction and collection facilities, ensure these are connected and properly used. Use of dust collection can reduce dust-related hazards.

h) Do not let familiarity gained from frequent use of tools allow you to become complacent and ignore tool safety principles. A careless action can cause severe injury within a fraction of a second.

4) Power tool use and care

a) Do not force the power tool. Use the correct power tool for your application. The correct power tool will do the job better and safer at the rate for which it was designed.

b) Do not use the power tool if the switch does not turn it on and off. Any power tool that cannot be controlled with the switch is dangerous and must be repaired.

c) Disconnect the plug from the power source and/or the battery pack from the power tool before making any adjustments, changing accessories, or storing power tools. Such preventive safety measures reduce the risk of starting the power tool accidentally.

d) Store idle power tools out of the reach of children and do not allow persons unfamiliar with the power tool or these instructions to operate the power tool. Power tools are dangerous in the hands of untrained users.

e) Maintain power tools. Check for misalignment or binding of moving parts, breakage of parts and any other condition that may affect the power tool's operation. If damaged, have the power tool repaired before use. Many accidents are caused by poorly maintained power tools.

f) Keep cutting tools sharp and clean. Properly maintained cutting tools with sharp cutting edges are less likely to bind and are easier to control.

g) Use the power tool, accessories and tool bits etc. in accordance with these instructions, taking into account the working conditions and the work to be performed. Use of the power tool for operations different from those intended could result in a hazardous situation.

h) Keep handles and grasping surfaces dry, clean and free from oil and grease. Slippery handles and grasping surfaces do not allow for safe handling and control of the tool in unexpected situations.

5) Service

a) Have your power tool serviced by a qualified repair person using only identical replacement parts. This will ensure that the safety of the power tool is maintained.

Planer safety warnings

– **Wait for the cutter to stop before setting the tool down. An exposed rotating cutter may engage the surface leading to possible loss of control and serious injury.**

NOTE The above warning applies only to planers without an automatic closing guard.

– **Hold the power tool by insulated gripping surfaces only, because the cutter may contact its own cord. Cutting a "live" wire may make exposed metal parts of the power tool "live" and could give the operator an electric shock.**

– **Use clamps or another practical way to secure and support the workpiece to a stable platform. Holding the work by your hand or against the body leaves it unstable and may lead to loss of control.**

 **WARNING**

Some dust created by power sanding, sawing, grinding, drilling, and other construction activities contains chemicals known to cause cancer, birth defects or other reproductive harm. Some examples of these chemicals are:

- lead from lead-based paints,
- crystalline silica from bricks and cement and other masonry products, and
- arsenic and chromium from chemically-treated lumber.

Your risk from these exposures varies, depending on how often you do this type of work. To reduce your exposure to these chemicals: work in a well ventilated area, and work with approved safety equipment, such as those dust masks that are specially designed to filter out microscopic particles.

INTENDED USE

The planer is intended for planing, chamfering and rebating wood without using water.

TECHNICAL SPECIFICATIONS

Reference	FBR900
Voltage	230 - 240 V ~ 50 Hz
Input power	900W
Speed	N ₀ :17000/min
Cutting depth	3 mm
Planing width	82 mm
Sound pressure level L _{pA}	L _{pA} =94,6 dB(A) K _{pA} =3 dB(A)
Sound power level L _{wA}	L _{wA} =105,6 dB(A) K _{wA} =3 dB(A)
Vibration level	ah=4,002 m/s ² K=1,5 m/s ²

NOISE/VIBRATION INFORMATION

Measured sound values determined according to EN 62841.

Informations

The total declared vibration value was measured using a standard test method and can be used to compare one tool with another.

The total declared vibration value can also be used in a preliminary exposure estimate

Warning

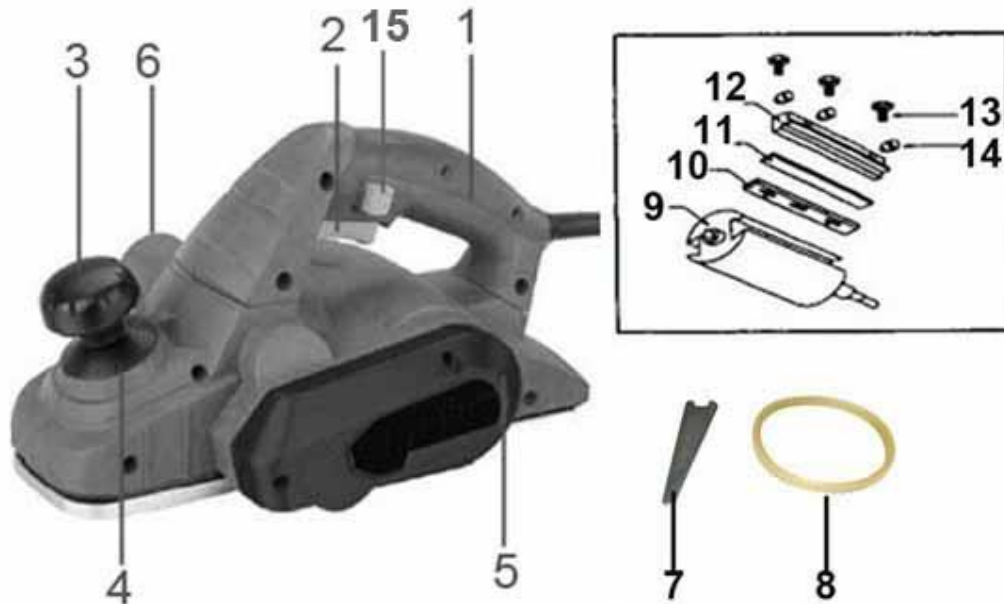
The emission of vibration during actual use of the machine tool may differ from the total declared value depending on how the tool is used.

Need to identify safety measures to protect the user which are based on an estimate of the exposure under real conditions of use (taking into account all parts of the operating cycle such as the moments when the tool and off and when it is running in addition to the tripping time.

Wear hearing protection

Wear hearing protection!

LIST OF MAIN PARTS



1. Main handle	2. ON/OFF Switch
3. Cutting depth adjusting knob	4. Depth scale
5. Drive belt cover	6. Dust exhaust tube
7. Spanner	8. Drive belt
9. Blade barrel	10. Spacer
11. Blade	12. Blade support block
13. clamping screws	14. cutter block screws
15. Interlock knob	

OPERATION

Before use

Before making assembly, changing and adjustment for any accessory, disconnect the tool from the mains supply to avoid any unintentional starting.

Please always check the mains supply voltage before use! It must correspond with the rating label on the appliance.

Remove any packing material and loose parts from unit.

Check the accessories before use. It should be fit with the machine and your purpose.

Never use any damaged or deformed blade in planer.

Check the blade before use. It must be fixed correctly.

Adjust the cutting depth

For optimal quality of cutting, the please select smaller cutting depth and finish working in 2 or 3 times.

To adjust the cutting depth (0-2mm), please follow below steps:

1. Rotate the cutting depth adjusting knob clockwise for a deeper cut and anti-clockwise for shallower cut.
2. The numbers on the ring under the depth adjustment knob indicate the depth of cut. For example when '2' is next to the pointer on the front of the planer, the depth of cut is approximately 2mm.
3. If it is necessary to accurately determine the depth of cut, plane a scrap piece of wood, measure the difference in thickness and adjust the setting if necessary.

CAUTION!

Always check the nuts and bolts which fix the blades before working. Loosed blade may cause serious injure.

On/Off switch

Use the On/Off switch and interlock switch to start the machine and keep holding it for continuous operation.

The machine can only be started by depressing the interlock switch first, preventing any unintentional operation.

To switch the machine off, release the On/Off switch.

CAUTION!

Always hold the machine by both hands.

Never start the planer with the blade in contact with the workpiece. Start cutting only after the motor reached its full speed.

Always carry out a test run before starting work and after every tool change! Always ensure that the tools are in good condition, correctly mounted and able to turn freely. The trial run should be at last 30 sec.

Damaged or deformed blade must be replaced immediately.

Chamfering edges

For chamfering edges use the V-grooves in the front base.

Set cutting depth adjusting knob in "0" position and then run the planer along the corner edge.

Caution!

Always test out first on a piece of scrap material for chamfering edges.

Mounting and replace blades

CAUTION!

Always switched off the tool and unplug it from the power supply before installing.

The planer is fitted with reversible blades. Blades can be reversed when blunt. If both sides of the blades have been used, it should be replaced immediately.

NOTE: These blades can not be re-sharpened.

To replace the blades, please follow below steps:

1. Using the supplied spanner to loose the three clamping screws.
2. Push blade out of the slot in the blade barrel with one piece of wood.
3. Turn over the planer blade or replace it if required.
4. Slide the good blade into the the blade barrel and make sure both knife ends protruded equally.
5. Tighten the clamping screws carefully, ensuring they are tightened evenly.

NOTE: The ridge along the blade should be on the blade face on the opposite side to the clamping screws.



NOTE: Always change the blades at the same time, otherwise imbalance can cause vibration and reduce the blades and tool life.

CAUTION!

Do not attempt to adjust the blade with cutter block screws, which are pre-set at manufacturing.

Drive belt replacement

The drive belt is expendable. It is keeping abrasion during use.

The drive belt should be changed regularly.

CAUTION!

Replacing the drive belt should be done by authorized service only.

The machine should be used only with drive belt!

To replace the drive belt, please follow below steps:

1. Take away the drive belt cover by remove the fixing screws.
2. Remove the damaged belt and use a soft brush to clean the pulleys and the surrounding area.
3. With the three continuous “v” profiles on the inside, place the new belt over the bottom pulley. Half fit the other end of the belt on the top pulley then roll the belt in place whilst turning the pulley.
4. Check that the belt runs evenly by manually turning the belt and then re-assembly the drive belt cover.
5. Carry out a test run before starting work to ensure that the tools are in good condition, correctly mounted and able to turn freely. The trial run should be at last 60 sec

Dust suction

The dust will be collected by the dust exhaust tube to the vacuum cleaner during use.

To assembly the vacuum cleaner, please follow below steps:

- Remove the accessories on soft tube of vacuum cleaner.
- Connect the soft tube to the dust exhaust tube directly.

APPLICATION ADVICE

CAUTION!

Always switched off the tool and unplug it from the power supply before installing.

Please always properly secure the workpiece before working.

Incline the workpiece slightly away from user, it may make planning easily.

Ensure that the openings provided for ventilation of the motor are clear.

Practice first on a scrap piece of material to gauge the correct feed rate and the cut dimensions.

CAUTION!

Never cut the unsecured workpiece!

The rate of planning and the depth of cut determine the quality of the finish. For rough cutting, the user can increase the depth of cutting. However to achieve a good finish you will need to reduce the depth of cutting and advance the tool more slowly.

The proper feed rate will depend on the type of material being cut and the quality requirement of finish. Normally, the harder material need slower speed.



WARNING

Don't apply big pressure to the machine.

Best cutting results can be obtained by only a slight pressure on the tool; Forcing and excessive pressure will damage the blade and cause serious personal injury.

Moving the machine too fast may cause a poor quality of cutting and can damage the blades or the motor. Moving the machine too slowly may burn or mar the workpiece.

MAINTENANCE

Keep the ventilation openings clear and clean the product regularly.

If something unusual occurs during use, switch off the supply and disconnect the plug. Inspect and repair the tool before using it again. The repairs must be carried out by a qualified technician.

Repair of the tool must only be carried out by a qualified repair technician.

Repair or maintenance by unqualified personnel can lead to a risk of injury.

Use only identical spare parts for repairing a tool. Follow the instructions in the maintenance section of this user manual.

Caution!

If the replacement of the supply cord is necessary, this has to be done by the manufacturer or his agent in order to avoid a safety hazard.

Care and cleaning

Clean the housing only with a damp cloth-do not use any solvents! Dry thoroughly afterwards.

STORING

Store the machine, operating instructions and where necessary the accessories in the original packaging. In this way you will always have all the information and parts ready to hand.

Pack the device well or use the original packaging in order to avoid transit damage.

Always keep the machine in dry place.

DISPOSAL



Do not dispose of power tools into household waste! According the European Guideline [2012/19/EU](#) for Waste Electrical and Electronic Equipment and its implementation into national right, power tools that are no longer usable must be collected separately and disposed of in an environmentally correct manner.

EC DECLARATION



EC Declaration of conformity

BUILDER

32, rue Aristide Bergès - ZI 31270 Cugnaux – France declare that the machine

Designation: 900W planer

Model: FRB900

Serial number: 20210922221-20210922724

Is in conformity with the European Directives:

Machine Directive 2006/42EC

EMC Directive 2014/30/EU

ROHS directive (EU)2015/863 amending 2011/65/EU

This product is also in conformity with the following standards:

EN 62841-1:2015

EN 62841-2-14:2015

EN 55014-1:2017

EN 55014-2:2015

EN IEC 61000-3-2:2019

EN 61000-3-3:2013+A1:2019

Philippe MARIE / PDG

A handwritten signature in black ink, appearing to be 'Philippe Marie', written over a faint circular stamp or watermark.

Cugnaux, le 14/07/2021

Responsible of technical file: Mr Olivier Patriarca

WARRANTY



WARRANTY

The manufacturer guarantees the product against defects in material and workmanship for a period of 2 years from the date of the original purchase. The warranty only applies if the product is for household use. The warranty does not cover breakdowns due to normal wear and tear.

The manufacturer agrees to replace parts identified as defective by the designated distributor. The manufacturer does not accept responsibility for the replacement of the machine, in whole or in part, and/or ensuing damage.

The warranty does not cover breakdowns due to:

- insufficient maintenance.
- abnormal assembly, adjustment or operations of the product.
- parts subject to normal wear and tear.

The warranty does not extend to:

- shipping and packaging costs.
- using the tool for a purpose other than that for which it was designed.
- the use and maintenance of the machine done in a manner not described in the user manual.

Due to our policy of continuous product improvement, we reserve the right to alter or change specifications without notice. Consequently, the product may be different from the information contained therein, but a modification will be undertaken without notice if it is recognized as an improvement of the preceding characteristic.

READ THE MANUAL CAREFULLY BEFORE USING THE MACHINE.

When ordering spare parts, please indicate the part number or code, you can find this in the spare parts list in this manual. Keep the purchase receipt; without it, the warranty is invalid. To help you with your product, we invite you to contact us by phone or via our website:

- **+33 (0)9.70.75.30.30**
- **<https://services.swap-europe.com/contact>**

You must create a "ticket" via the web platform.

- Register or create your account.
- Indicate the reference of the tool.
- Choose the subject of your request.
- Describe your problem.
- Attach these files: invoice or sales receipt, photo of the identification plate (serial number), photo of the part you need (for example: pins on the transformer plug which are broken).



PRODUCT FAILURE

WHAT TO DO IF MY MACHINE BREAKS DOWN?

If you bought your product in a store:

- a) Empty the fuel tank if your product has one.
- b) Make sure that your machine is complete with all accessories supplied, and clean! If this is not the case, the repairer will refuse the machine.

Go to the store with the complete machine and with the receipt or invoice.

If you bought your product on a website:

- a) Empty the fuel tank if your product has one.
- b) Make sure that your machine is complete with all accessories supplied, and clean! If this is not the case, the repairer will refuse the machine.
- c) Create a SWAP-Europe service ticket on the site: <https://services.swap-europe.com> When making the request on SWAP-Europe, you must attach the invoice and the photo of the nameplate (serial number).
- d) Contact the repair station to make sure it is available before dropping of the machine.

Go to the repair station with the complete machine packed, accompanied by the purchase invoice and the station support sheet downloadable after the service request is completed on the SWAP-Europe site

For machines with engine failure from manufacturers BRIGGS & STRATTON, HONDA and RATO, please refer to the following instructions.

Repairs will be done by approved engine manufacturers of these manufacturers, see their site:

- <http://www.briggsandstratton.com/eu/fr>
- <http://www.honda-engines-eu.com/fr/service-network-page;jsessionid=5EE8456CF39CD572AA2AEEDFD290CDAE>
- <https://www.rato-europe.com/it/service-network>

Please keep your original packaging to allow for after-sales service returns or pack your machine with a similar cardboard box of the same dimensions.

For any question concerning our after-sales service you can make a request on our website <https://services.swap-europe.com>

Our hotline remains available at +33 (9) 70 75 30 30.



WARRANTY EXCLUSIONS

THE WARRANTY DOES NOT COVER:

- Start-up and setting up of the product.
- Damage resulting from normal wear and tear of the product.
- Damage resulting from improper use of the product.
- Damage resulting from assembly or start-up not in accordance with the user manual.
- Breakdowns related to carburetion beyond 90 days and fouling of carburetors.
- Periodic and standard maintenance events.
- Actions of modification and dismantling that directly void the warranty.
- Products whose original authentication marking (brand, serial number) has been degraded, altered or withdrawn.
- Replacement of consumables.
- The use of non-original parts.
- Breakage of parts following impacts or projections.
- Accessories breakdowns.
- Defects and their consequences linked to any external cause.
- Loss of components and loss due to insufficient screwing.
- Cutting components and any damage related to the loosening of parts.
- Overload or overheating.
- Poor power supply quality: faulty voltage, voltage error, etc.
- Damages resulting from the deprivation of enjoyment of the product during the time necessary for repairs and more generally the costs related to the immobilization of the product.
- The costs of a second opinion established by a third party following an estimate by a SWAP-Europe repair station
- The use of a product which would show a defect or a breakage which was not the subject of an immediate report and/or repair with the services of SWAP-Europe.
- Deterioration linked to transport and storage*.
- Launchers beyond 90 days.
- Oil, petrol, grease.
- Damages related to the use of non-compliant fuels or lubricants.

* In accordance with transport legislation, damage related to transport must be declared to carriers within 48 hours maximum after observation by registered letter with acknowledgement of receipt.

This document is a supplement to your notice, a non-exhaustive list.

Attention: all orders must be checked in the presence of the delivery person. In case of refusal by the delivery person, it you must simply refuse the delivery and notify your refusal.

Reminder: the reserves do not exclude the notification by registered letter with acknowledgement within 72 hours.

Information:

Thermal devices must be wintered each season (service available on the SWAP-Europe site). Batteries must be charged before being stored.

FEIDER
MACHINES